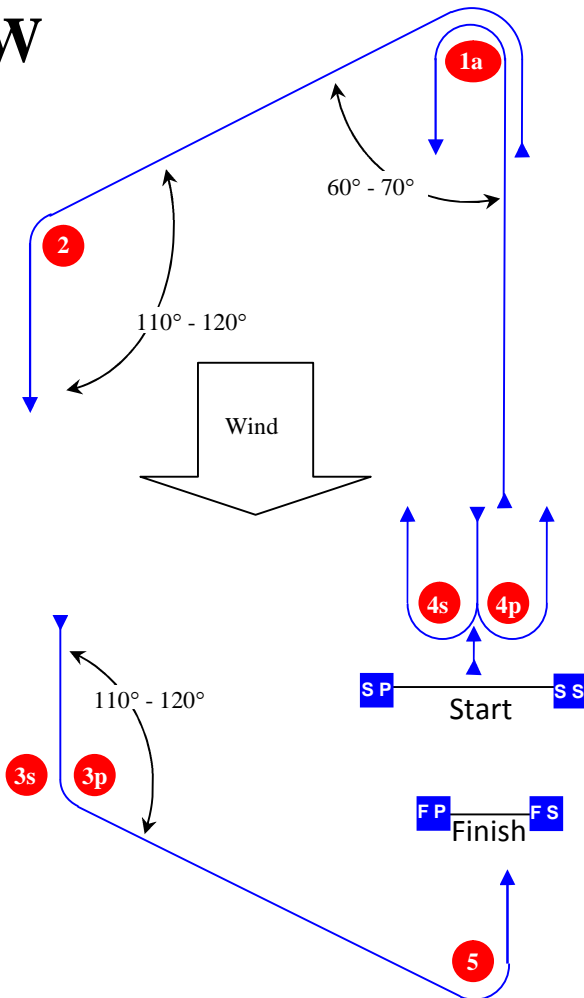


Course Illustration – Course B – Optimist, Laser, Starling, 420

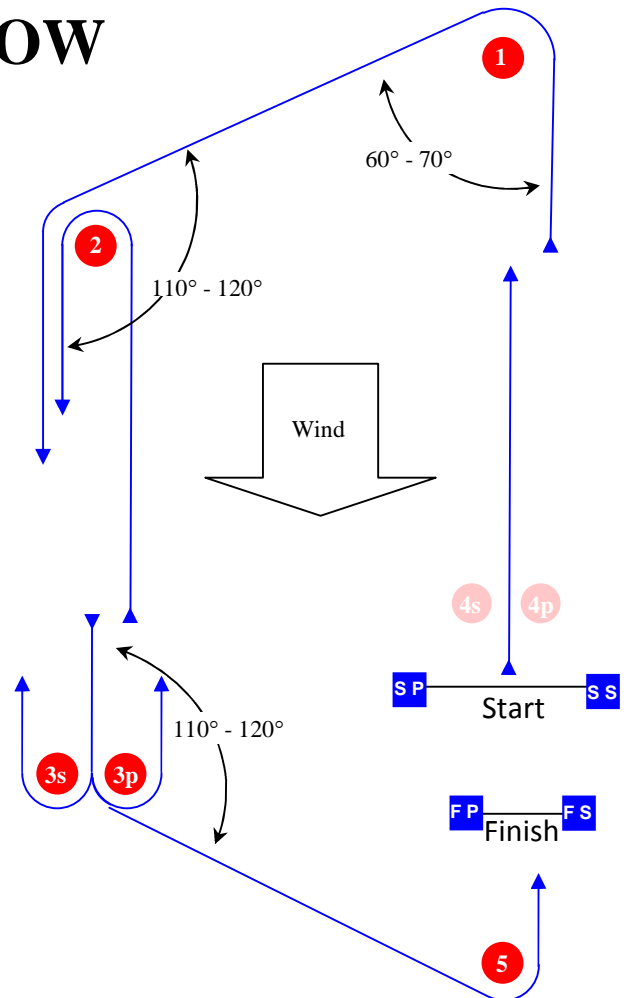
IW



Course: Inner Trapezoid with beat to finish

Signal	Mark Rounding Order
IW1	Start – 1 – 2 – 3p – 5 – Finish
IW2	Start – 1 – 4s/4p – 1 – 2 – 3p – 5 – Finish
IW3	Start – 1 – 4s/4p – 1 – 4s/4p – 1 – 2 – 3p – 5 – Finish
IW4	Start – 1 – 4s/4p – 1 – 4s/4p – 1 – 4s/4p – 1 – 2 – 3p – 5 – Finish

OW



Course: Outer Trapezoid with beat to finish

Signal	Mark Rounding Order
OW2	Start – 1 – 2 – 3s/3p – 2 – 3p – 5 – Finish
OW3	Start – 1 – 2 – 3s/3p – 2 – 3s/3p – 2 – 3p – 5 – Finish
OW4	Start – 1 – 2 – 3s/3p – 2 – 3s/3p – 2 – 3s/3p – 2 – 3p – 5 – Finish

Mark	Description
1 2	Orange Triangle – Mark 1a Will be a Red Cylinder
3s 3p	Orange Triangle
4s 4p	Yellow Triangle
5	Orange Triangle
SS Starting mark starboard end	Committee Boat
SP Starting mark port end	Orange Buoy
FS Finishing mark starboard end	Committee Boat
FP Finishing mark port end	Orange Buoy