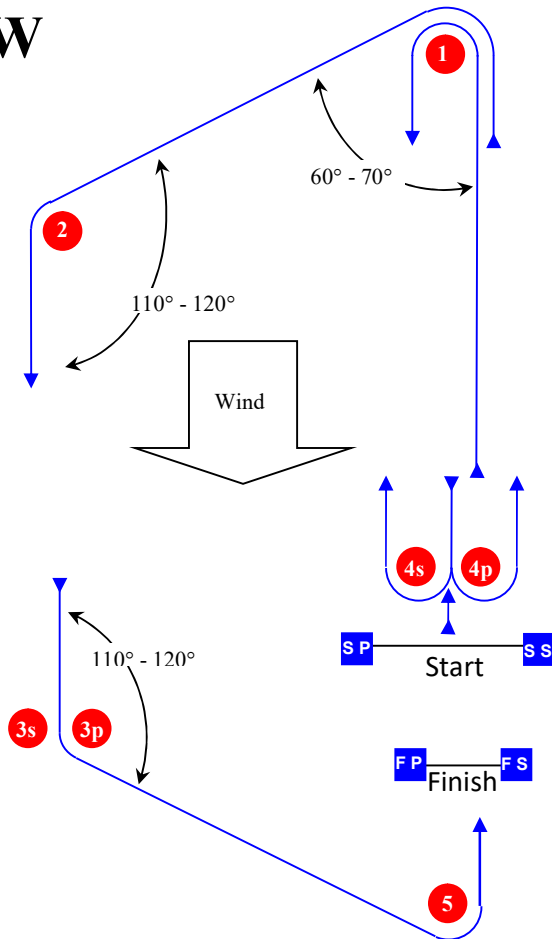


## Addendum B Course Illustration – Trapezoid with beat to finish - separate finish

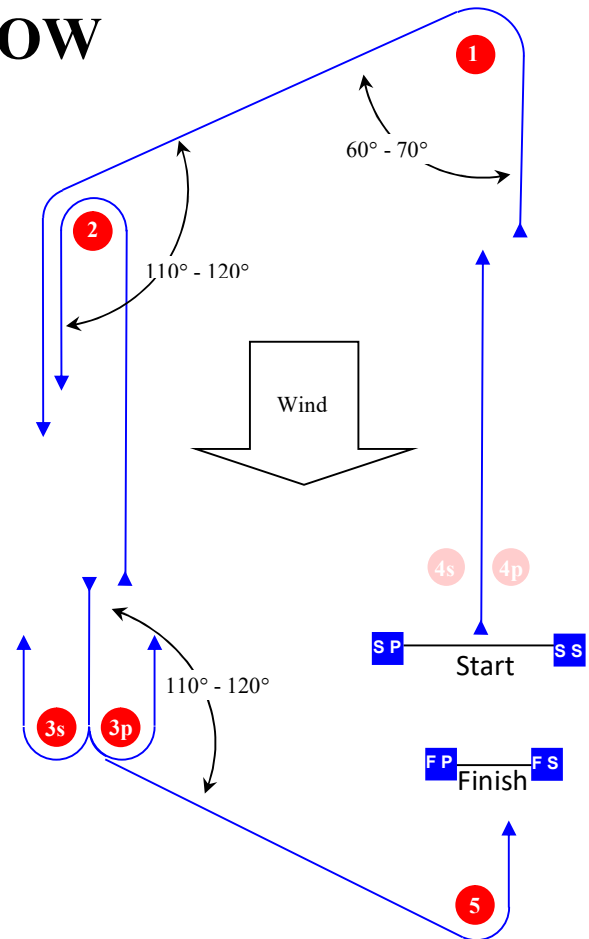
### IW



**Course: Inner Trapezoid with beat to finish**

Signal	Mark Rounding Order
<b>IW1</b>	Start – 1 – 2 – 3p – 5 – Finish
<b>IW2</b>	Start – 1 – 4s/4p – 1 – 2 – 3p – 5 – Finish
<b>IW3</b>	Start – 1 – 4s/4p – 1 – 4s/4p – 1 – 2 – 3p – 5 – Finish
<b>IW4</b>	Start – 1 – 4s/4p – 1 – 4s/4p – 1 – 4s/4p – 1 – 2 – 3p – 5 – Finish

### OW



**Course: Outer Trapezoid with beat to finish**

Signal	Mark Rounding Order
<b>OW2</b>	Start – 1 – 2 – 3s/3p – 2 – 3p – 5 – Finish
<b>OW3</b>	Start – 1 – 2 – 3s/3p – 2 – 3s/3p – 2 – 3p – 5 – Finish
<b>OW4</b>	Start – 1 – 2 – 3s/3p – 2 – 3s/3p – 2 – 3s/3p – 2 – 3p – 5 – Finish

Mark	Description
<b>1 2</b>	Orange Triangle
<b>3s 3p</b>	Orange Triangle
<b>4s 4p</b>	Yellow Triangle
<b>5</b>	Orange Triangle
<b>SS</b> Starting mark starboard end	Race Committee Boat
<b>SP</b> Starting mark port end	Race Committee Boat
<b>FS</b> Finishing mark starboard end	Race Committee Boat
<b>FP</b> Finishing mark port end	Orange Teardrop